

050918

RECEIVED
LARAMIE COUNTY
CHEYENNE, WY.

CERTIFIED LAND CORNER RECORDATION

DESCRIPTION OF CORNER EVIDENCE FOUND, AND ORIGINAL RECORD (If known)

NOV 9 AM 9 09

1/4
S.10 S.11
T.14N., R.63W.
6th P.M.

Found 1 1/2" Brass Cap projecting 4" above ground 1' West & 3' South of fence lines and stamped as shown below.

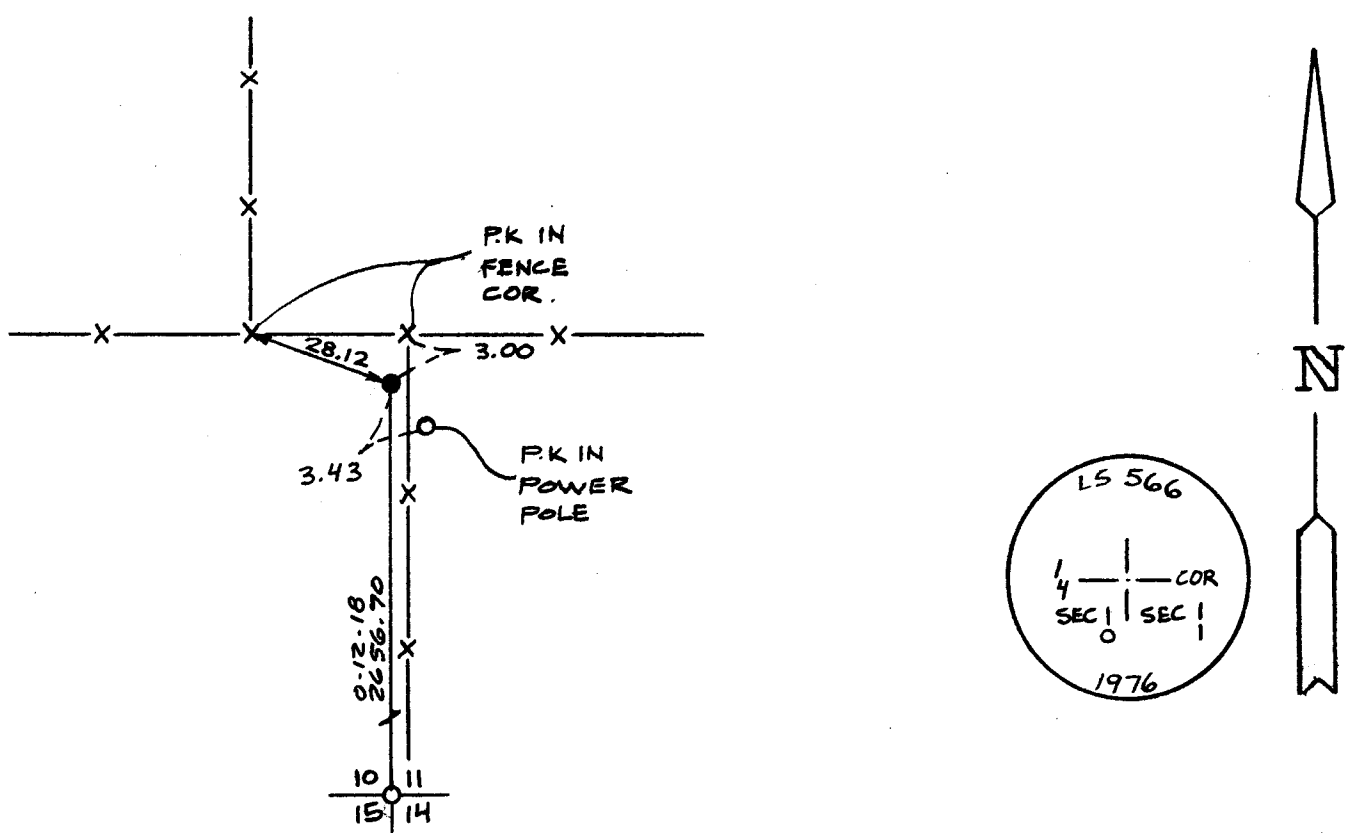
G.L.O. Record: Granite stone 15" x 8" x 5" set by Edwin James & Alfred M. Rogers, Deputy Surveyors, June 16, 1871.

DESCRIPTION OF MONUMENT AND ACCESSORIES ESTABLISHED TO PERPETUATE THE ORIGINAL LOCATION OF THIS CORNER:

At the corner: No monument set.

Accessories : See ties below

SKETCH, WITH COURSE AND DISTANCE TO ADJACENT CORNER IF DETERMINED IN THIS SURVEY. (May Sketch or Paste Reproduction on Reverse Side.)



I, John A. Steil certify that I have carefully performed or reviewed the work done on the diagrammed corner as reported on this recordation form and approve the same.

John A. Steil
Signature of Surveyor

L.S. 2500
Registration No.

STATE OF WYOMING,
Office of Clerk and Recorder,
County of _____

This "corner record" was filed for record on the _____ day of _____, 19____, was noted on the cross-index plat and is assigned page No. _____, in book No. _____.

| County Official | | | | |
|-----------------|-------|-------|------|-----|
| Cross Index No. | T. | R. | Mer. | |
| G-17 | 14N | 63W | Mer. | 6th |
| _____ | _____ | _____ | Mer. | |
| _____ | _____ | _____ | Mer. | |
| _____ | _____ | _____ | Mer. | |
| _____ | _____ | _____ | Mer. | |
| _____ | _____ | _____ | Mer. | |
| _____ | _____ | _____ | Mer. | |